

# TPC6000-A 192

**产品特性：**

PET                      IP65

19" TFT LCD                      1280\*1024

Intel Bay Trail J1900 2.0GHz

2                      6 RS232                      (COM1/COM5/6                      RS485)

DC 12V

WiFi/3G/4G

VESA



	Intel Bay Trail J1900                      2.0GHz, TDP 10W
	DDR3 2G/4G/8G
	1*Serial ATA 2.0                      +1*mSATA
	HDMI/VGA
	1                      255
	Win 7 / Win8 / WES7 / Linux / Win 10
<b>I/O</b>	2 Realtek RTL8111F
<b>USB</b>	1 USB3.0                      3 USB2.0                      ,                      8KV
	6 RS232(COM1/COM5/6                      RS485)
	1 ~ 2W
	1 Mini-PCle                      3G/4G/Wifi                      USB
	DC IN                      HDMI*1                      VGA *1
<b>Display</b>	19" TFT                      1280*1024
	LED /                      30000 h
	250cd/m <sup>2</sup>
	376.32*301.06mm
<b>Dimensions</b>	19"
	4096*4096
	3500                      250                      500                      250
	81%
<b>Material</b>	,                      PET                      ,                      NEMA IP65
	466*370*81mm
	440*349*75mm
	443*352mm
<b>Mounting</b>	VESA
	6.84KG

-A

0~ + 50

DC 12V

-30~ + 70

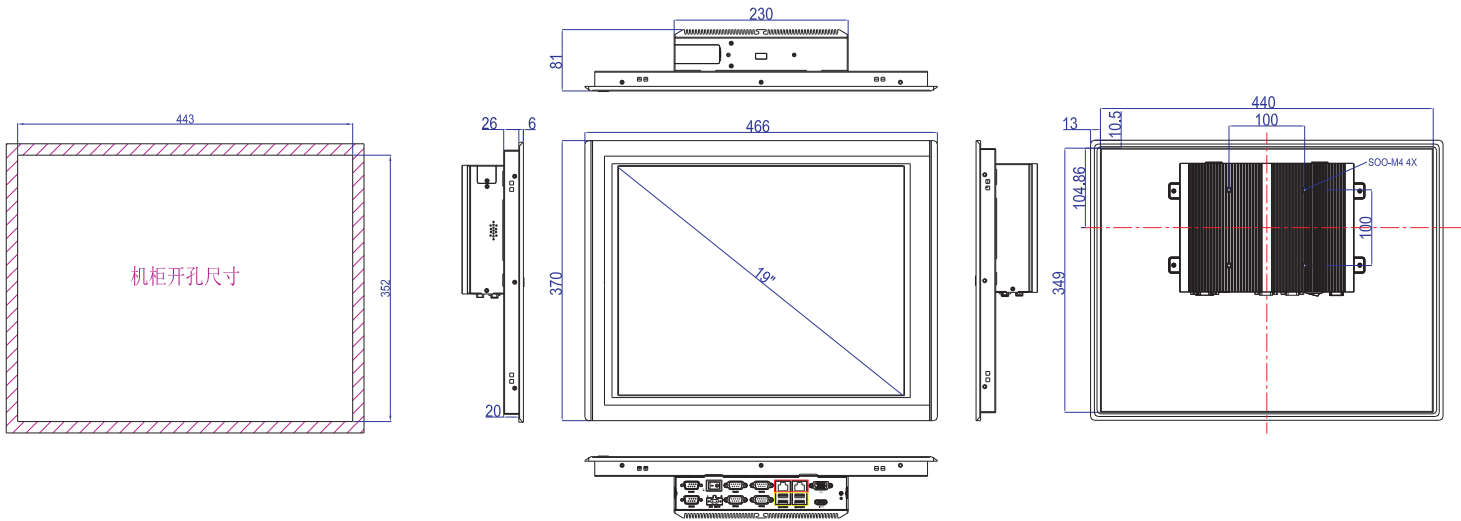
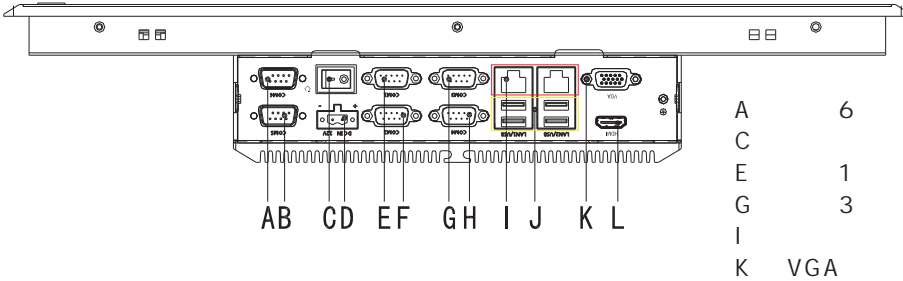
27W

10~ 95% @ 10

5~ 500Hz, 1.5G, 0.15mm

10G/peak (11ms)

I/O



TPC6000-A192-T	:19" TFT LCD /	1280×1024 /	/ J1900 CPU / 2×LAN / 1×USB 3.0 / 3×USB 2.0 / 5×RS232 / 1×RS232 or RS485 / 1×HDMI / 1×VGA / DC 12V
TPC6000-A192-TW	:19" TFT LCD /	1280×1024 /	/ J1900 CPU / 2×LAN / 1×USB 3.0 / 3×USB 2.0 / 5×RS232 / 1×RS232 or RS485 / 1×HDMI / 1×VGA / WIFI
TPC6000-A192-T-2G	:19" TFT LCD /	1280×1024 /	/ J1900 CPU / 2×LAN / 1×USB 3.0 / 3×USB 2.0 / 5×RS232 / 1×RS232 or RS485 / 1×HDMI / 1×VGA / DDR3 2G
TPC6000-A192-TW-2G	:19" TFT LCD /	1280×1024 /	/ J1900 CPU / 2×LAN / 1×USB 3.0 / 3×USB 2.0 / 5×RS232 / 1×RS232 or RS485 / 1×HDMI / 1×VGA / DDR3 2G
TPC6000-A192-T-2G-SSD16G	:19" TFT LCD /	1280×1024 /	/ J1900 CPU / 2×LAN / 1×USB 3.0 / 3×USB 2.0 / 5×RS232 / 1×RS232 or RS485 / 1×HDMI / 1×VGA / DDR3 2G
TPC6000-A192-TW-2G-SSD16G	:19" TFT LCD /	1280×1024 /	/ J1900 CPU / 2×LAN / 1×USB 3.0 / 3×USB 2.0 / 5×RS232 / 1×RS232 or RS485 / 1×HDMI / 1×VGA / DDR3 2G
TPC6000-A192-TA	:19" TFT LCD /	1280×1024 /	/ J1900 CPU / 2×LAN / 1×USB 3.0 / 3×USB 2.0 / 4×RS232 / 1×RS232 or RS485 / 1×RS485 / 1×HDMI / 1×VGA
TPC6000-A192-TAW	:19" TFT LCD /	1280×1024 /	/ J1900 CPU / 2×LAN / 1×USB 3.0 / 3×USB 2.0 / 4×RS232 / 1×RS232 or RS485 / 1×RS485 / 1×HDMI / 1×VGA
TPC6000-A192-TA-2G	:19" TFT LCD /	1280×1024 /	/ J1900 CPU / 2×LAN / 1×USB 3.0 / 3×USB 2.0 / 4×RS232 / 1×RS232 or RS485 / 1×RS485 / 1×HDMI / 1×VGA
TPC6000-A192-TAW-2G	:19" TFT LCD /	1280×1024 /	/ J1900 CPU / 2×LAN / 1×USB 3.0 / 3×USB 2.0 / 4×RS232 / 1×RS232 or RS485 / 1×RS485 / 1×HDMI / 1×VGA
TPC6000-A192-TA-2G-SSD16G	:19" TFT LCD /	1280×1024 /	/ J1900 CPU / 2×LAN / 1×USB 3.0 / 3×USB 2.0 / 4×RS232 / 1×RS232 or RS485 / 1×RS485 / 1×HDMI / 1×VGA
TPC6000-A192-TAW-2G-SSD16G	:19" TFT LCD /	1280×1024 /	/ J1900 CPU / 2×LAN / 1×USB 3.0 / 3×USB 2.0 / 4×RS232 / 1×RS232 or RS485 / 1×RS485 / 1×HDMI / 1×VGA
TPC6000-A192-TB	:19" TFT LCD /	1280×1024 /	/ J1900 CPU / 2×LAN / 1×USB 3.0 / 3×USB 2.0 / 3×RS232 / 1×RS232 or RS485 / 2×RS485 / 1×HDMI / 1×VGA
TPC6000-A192-TBW	:19" TFT LCD /	1280×1024 /	/ J1900 CPU / 2×LAN / 1×USB 3.0 / 3×USB 2.0 / 3×RS232 / 1×RS232 or RS485 / 2×RS485 / 1×HDMI / 1×VGA
TPC6000-A192-TB-2G	:19" TFT LCD /	1280×1024 /	/ J1900 CPU / 2×LAN / 1×USB 3.0 / 3×USB 2.0 / 3×RS232 / 1×RS232 or RS485 / 2×RS485 / 1×HDMI / 1×VGA
TPC6000-A192-TBW-2G	:19" TFT LCD /	1280×1024 /	/ J1900 CPU / 2×LAN / 1×USB 3.0 / 3×USB 2.0 / 3×RS232 / 1×RS232 or RS485 / 2×RS485 / 1×HDMI / 1×VGA
TPC6000-A192-TB-2G-SSD16G	:19" TFT LCD /	1280×1024 /	/ J1900 CPU / 2×LAN / 1×USB 3.0 / 3×USB 2.0 / 3×RS232 / 1×RS232 or RS485 / 2×RS485 / 1×HDMI / 1×VGA
TPC6000-A192-TBW-2G-SSD16G	:19" TFT LCD /	1280×1024 /	/ J1900 CPU / 2×LAN / 1×USB 3.0 / 3×USB 2.0 / 3×RS232 / 1×RS232 or RS485 / 2×RS485 / 1×HDMI / 1×VGA

2G /16G  
2G/4G/8G  
16G/32G/64G/128G  
500G/1T