

TPC6000-A 152

产品特性：

PET IP65

15" TFT LCD 1024*768

Intel Bay Trail J1900 2.0GHz

2 6 RS232 (COM1/COM5/6 RS485)

DC 12V

WIFI/3G/4G

VESA



	Intel Bay Trail J1900	2.0GHz, TDP 10W
	DDR3 2G/4G/8G	
	1*Serial ATA 2.0 +1*mSATA	
	HDMI/VGA	
	1 255	
	Win 7 / Win8 / WES7 / Linux / Win 10	
I/O	2 Realtek RTL8111F	
USB	1 USB3.0 3 USB2.0 , 8KV	
	6 RS232(COM1/COM5/6 RS485)	
	1 - 2W	
	1 Mini-PCIe	3G/4G/Wifi USB
	DC IN HDMI*1 VGA *1	
	15" TFT	1024× 768
	LED /	50000 h
	450cd/m²	
	304.13*228.10mm	
	15"	
	4096*4096	
	3500	250 500 250
	81%	
	, PET , NEMAIP65	
	395*313*82mm	
	373*297*76mm	
	376*300mm	
	VESA	4.83KG

0~ +50

DC 12V

-30~ +70

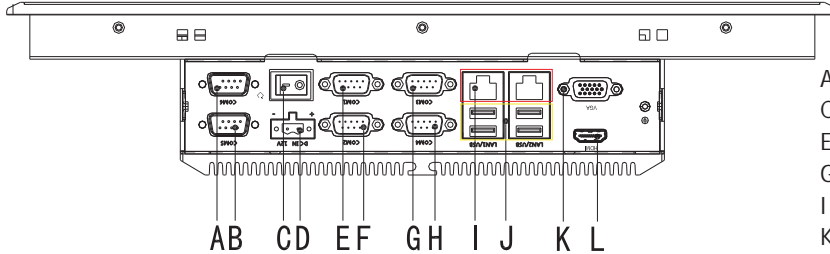
22W

10~ 95% @ 10

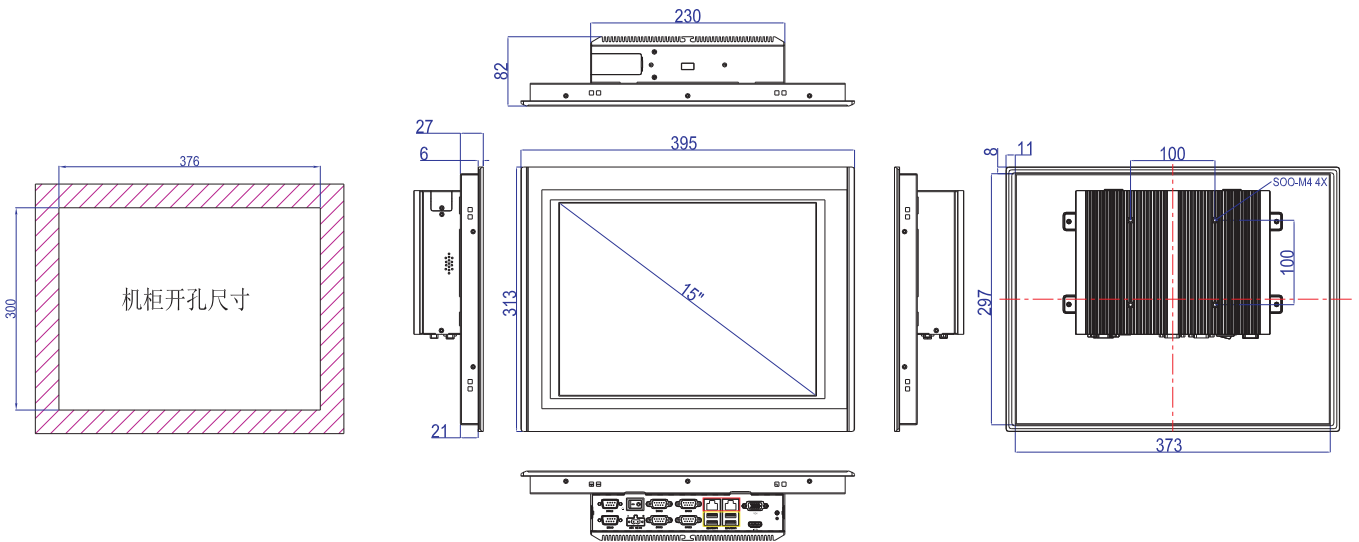
5~ 500Hz, 1.5G, 0.15mm

10G/peak (11ms)

I/O



A	6	B	5
C		D	DC IN
E	1	F	2
G	3	H	4
I		J	USB 2.0*3/USB 3.0*1
K	VGA	L	HDMI



TPC6000-A152-T	:15" TFT LCD /	1024×768 /	/ J1900 CPU / 2×LAN / 1×USB 3.0 / 3×USB 2.0 / 5×RS232 / 1×RS232 or RS485 / 1×HDMI / 1×VGA / DC 12V
TPC6000-A152-TW	:15" TFT LCD /	1024×768 /	/ J1900 CPU / 2×LAN / 1×USB 3.0 / 3×USB 2.0 / 5×RS232 / 1×RS232 or RS485 / 1×HDMI / 1×VGA / WIFI / DC 12V
TPC6000-A152-T-2G	:15" TFT LCD /	1024×768 /	/ J1900 CPU / 2×LAN / 1×USB 3.0 / 3×USB 2.0 / 5×RS232 / 1×RS232 or RS485 / 1×HDMI / 1×VGA / DDR3 2G / DC 12V
TPC6000-A152-TW-2G	:15" TFT LCD /	1024×768 /	/ J1900 CPU / 2×LAN / 1×USB 3.0 / 3×USB 2.0 / 5×RS232 / 1×RS232 or RS485 / 1×HDMI / 1×VGA / DDR3 2G / WIFI / DC 12V
TPC6000-A152-T-2G-SSD16G	:15" TFT LCD /	1024×768 /	/ J1900 CPU / 2×LAN / 1×USB 3.0 / 3×USB 2.0 / 5×RS232 / 1×RS232 or RS485 / 1×HDMI / 1×VGA / DDR3 2G / mSATA 16G / DC 12V
TPC6000-A152-TW-2G-SSD16G	:15" TFT LCD /	1024×768 /	/ J1900 CPU / 2×LAN / 1×USB 3.0 / 3×USB 2.0 / 5×RS232 / 1×RS232 or RS485 / 1×HDMI / 1×VGA / DDR3 2G / mSATA 16G / WIFI / DC 12V
TPC6000-A152-TA	:15" TFT LCD /	1024×768 /	/ J1900 CPU / 2×LAN / 1×USB 3.0 / 3×USB 2.0 / 4×RS232 / 1×RS232 or RS485 / 1×RS485 / 1×HDMI / 1×VGA / DC 12V
TPC6000-A152-TAW	:15" TFT LCD /	1024×768 /	/ J1900 CPU / 2×LAN / 1×USB 3.0 / 3×USB 2.0 / 4×RS232 / 1×RS232 or RS485 / 1×RS485 / 1×HDMI / 1×VGA / WIFI / DC 12V
TPC6000-A152-TA-2G	:15" TFT LCD /	1024×768 /	/ J1900 CPU / 2×LAN / 1×USB 3.0 / 3×USB 2.0 / 4×RS232 / 1×RS232 or RS485 / 1×RS485 / 1×HDMI / 1×VGA / DDR3 2G / DC 12V
TPC6000-A152-TAW-2G	:15" TFT LCD /	1024×768 /	/ J1900 CPU / 2×LAN / 1×USB 3.0 / 3×USB 2.0 / 4×RS232 / 1×RS232 or RS485 / 1×RS485 / 1×HDMI / 1×VGA / DDR3 2G / WIFI / DC 12V
TPC6000-A152-TA-2G-SSD16G	:15" TFT LCD /	1024×768 /	/ J1900 CPU / 2×LAN / 1×USB 3.0 / 3×USB 2.0 / 4×RS232 / 1×RS232 or RS485 / 1×RS485 / 1×HDMI / 1×VGA / DDR3 2G / mSATA 16G / DC 12V
TPC6000-A152-TAW-2G-SSD16G	:15" TFT LCD /	1024×768 /	/ J1900 CPU / 2×LAN / 1×USB 3.0 / 3×USB 2.0 / 4×RS232 / 1×RS232 or RS485 / 1×RS485 / 1×HDMI / 1×VGA / DDR3 2G / mSATA 16G / WIFI / DC 12V
TPC6000-A152-TB	:15" TFT LCD /	1024×768 /	/ J1900 CPU / 2×LAN / 1×USB 3.0 / 3×USB 2.0 / 3×RS232 / 1×RS232 or RS485 / 2×RS485 / 1×HDMI / 1×VGA / DC 12V
TPC6000-A152-TBW	:15" TFT LCD /	1024×768 /	/ J1900 CPU / 2×LAN / 1×USB 3.0 / 3×USB 2.0 / 3×RS232 / 1×RS232 or RS485 / 2×RS485 / 1×HDMI / 1×VGA / WIFI / DC 12V
TPC6000-A152-TB-2G	:15" TFT LCD /	1024×768 /	/ J1900 CPU / 2×LAN / 1×USB 3.0 / 3×USB 2.0 / 3×RS232 / 1×RS232 or RS485 / 2×RS485 / 1×HDMI / 1×VGA / DDR3 2G / DC 12V
TPC6000-A152-TBW-2G	:15" TFT LCD /	1024×768 /	/ J1900 CPU / 2×LAN / 1×USB 3.0 / 3×USB 2.0 / 3×RS232 / 1×RS232 or RS485 / 2×RS485 / 1×HDMI / 1×VGA / DDR3 2G / WIFI / DC 12V
TPC6000-A152-TB-2G-SSD16G	:15" TFT LCD /	1024×768 /	/ J1900 CPU / 2×LAN / 1×USB 3.0 / 3×USB 2.0 / 3×RS232 / 1×RS232 or RS485 / 2×RS485 / 1×HDMI / 1×VGA / DDR3 2G / mSATA 16G / DC 12V
TPC6000-A152-TBW-2G-SSD16G	:15" TFT LCD /	1024×768 /	/ J1900 CPU / 2×LAN / 1×USB 3.0 / 3×USB 2.0 / 3×RS232 / 1×RS232 or RS485 / 2×RS485 / 1×HDMI / 1×VGA / DDR3 2G / mSATA 16G / WIFI / DC 12V

2G /16G
2G/4G/8G
16G/32G/64G/128G
500G/1T