

TPC6000-A 102

产品特性：

PET IP65

10.4" TFT LCD 800*600

Intel Bay Trail J1900 2.0GHz

2 6 RS232 (COM1/COM5/6 RS485)

DC 12V

WIFI/3G/4G

VESA



| | |
|------|--|
| | Intel Bay Trail J1900 2.0GHz, TDP 10W |
| | DDR3 2G/4G/8G |
| | 1*Serial ATA 2.0 +1*mSATA |
| | HDMI/VGA |
| | 1 255 |
| | Win 7 / Win8 / WES7 / Linux / Win 10 |
| I/O | |
| | 2 Realtek RTL8111F |
| USB | 1 USB3.0 3 USB2.0 , 8KV |
| | 6 RS232(COM1/COM5/6 RS485) |
| | 1 ~ 2W |
| | 1 Mini-PCle 3G/4G/Wifi USB |
| | DC IN HDMI*1 VGA*1 |
| | 10.4" TFT 800*600 |
| | LED / 10000 h |
| | 250cd/m ² |
| | 211.2*158.4mm |
| | 10.4" |
| | 4096*4096 |
| | 3500 250 500 250 |
| | 81% |
| | , PET , NEMA IP65 300.5*234.5*78.05mm |
| | , , 278.5*218.5*23.05mm |
| | , , 282*222mm |
| VESA | 3.16KG |

0~ + 50

DC 12V

-30~ + 70

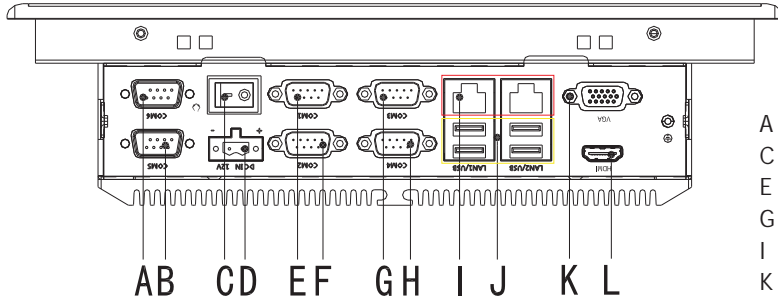
16W

10~ 95% @ 10

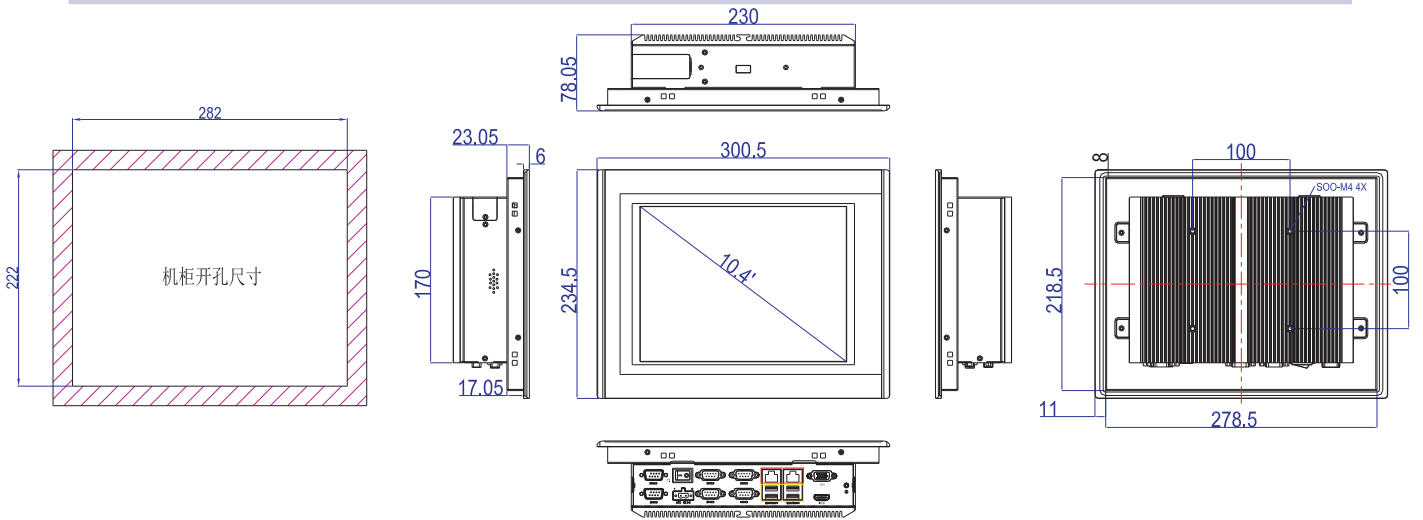
5~ 500Hz, 1.5G, 0.15mm

10G/peak (11ms)

I/O



| | | | |
|---|-----|---|---------------------|
| A | 6 | B | 5 |
| C | | D | DC IN |
| E | 1 | F | 2 |
| G | 3 | H | 4 |
| I | | J | USB 2.0*3/USB 3.0*1 |
| K | VGA | L | HDMI |



| | | | |
|----------------------------|-----------------|-----------|---|
| TPC6000-A102-T | :10.4"TFT LCD / | 800×600 / | / J1900 CPU / 2×LAN / 1×USB 3.0 / 3×USB 2.0 / 5×RS232 / 1×RS232 or RS485 / 1×HDMI / 1×VGA / DC 12V |
| TPC6000-A102-TW | :10.4"TFT LCD / | 800×600 / | / J1900 CPU / 2×LAN / 1×USB 3.0 / 3×USB 2.0 / 5×RS232 / 1×RS232 or RS485 / 1×HDMI / 1×VGA / WIFI / DC 12V |
| TPC6000-A102-T-2G | :10.4"TFT LCD / | 800×600 / | / J1900 CPU / 2×LAN / 1×USB 3.0 / 3×USB 2.0 / 5×RS232 / 1×RS232 or RS485 / 1×HDMI / 1×VGA / DDR3 2G / DC 12V |
| TPC6000-A102-TW-2G | :10.4"TFT LCD / | 800×600 / | / J1900 CPU / 2×LAN / 1×USB 3.0 / 3×USB 2.0 / 5×RS232 / 1×RS232 or RS485 / 1×HDMI / 1×VGA / DDR3 2G / WIFI / DC 12V |
| TPC6000-A102-T-2G-SSD16G | :10.4"TFT LCD / | 800×600 / | / J1900 CPU / 2×LAN / 1×USB 3.0 / 3×USB 2.0 / 5×RS232 / 1×RS232 or RS485 / 1×HDMI / 1×VGA / DDR3 2G / mSATA 16G / DC 12V |
| TPC6000-A102-TW-2G-SSD16G | :10.4"TFT LCD / | 800×600 / | / J1900 CPU / 2×LAN / 1×USB 3.0 / 3×USB 2.0 / 5×RS232 / 1×RS232 or RS485 / 1×HDMI / 1×VGA / DDR3 2G / mSATA 16G / WIFI / DC 12V |
| TPC6000-A102-TA | :10.4"TFT LCD / | 800×600 / | / J1900 CPU / 2×LAN / 1×USB 3.0 / 3×USB 2.0 / 4×RS232 / 1×RS232 or RS485 / 1×RS485 / 1×HDMI / 1×VGA / DC 12V |
| TPC6000-A102-TAW | :10.4"TFT LCD / | 800×600 / | / J1900 CPU / 2×LAN / 1×USB 3.0 / 3×USB 2.0 / 4×RS232 / 1×RS232 or RS485 / 1×RS485 / 1×HDMI / 1×VGA / WIFI / DC 12V |
| TPC6000-A102-TA-2G | :10.4"TFT LCD / | 800×600 / | / J1900 CPU / 2×LAN / 1×USB 3.0 / 3×USB 2.0 / 4×RS232 / 1×RS232 or RS485 / 1×RS485 / 1×HDMI / 1×VGA / DDR3 2G / DC 12V |
| TPC6000-A102-TAW-2G | :10.4"TFT LCD / | 800×600 / | / J1900 CPU / 2×LAN / 1×USB 3.0 / 3×USB 2.0 / 4×RS232 / 1×RS232 or RS485 / 1×RS485 / 1×HDMI / 1×VGA / DDR3 2G / WIFI / DC 12V |
| TPC6000-A102-TA-2G-SSD16G | :10.4"TFT LCD / | 800×600 / | / J1900 CPU / 2×LAN / 1×USB 3.0 / 3×USB 2.0 / 4×RS232 / 1×RS232 or RS485 / 1×RS485 / 1×HDMI / 1×VGA / DDR3 2G / mSATA 16G / DC 12V |
| TPC6000-A102-TAW-2G-SSD16G | :10.4"TFT LCD / | 800×600 / | / J1900 CPU / 2×LAN / 1×USB 3.0 / 3×USB 2.0 / 4×RS232 / 1×RS232 or RS485 / 1×RS485 / 1×HDMI / 1×VGA / DDR3 2G / mSATA 16G / WIFI / DC 12V |
| TPC6000-A102-TB | :10.4"TFT LCD / | 800×600 / | / J1900 CPU / 2×LAN / 1×USB 3.0 / 3×USB 2.0 / 3×RS232 / 1×RS232 or RS485 / 2×RS485 / 1×HDMI / 1×VGA / DC 12V |
| TPC6000-A102-TBW | :10.4"TFT LCD / | 800×600 / | / J1900 CPU / 2×LAN / 1×USB 3.0 / 3×USB 2.0 / 3×RS232 / 1×RS232 or RS485 / 2×RS485 / 1×HDMI / 1×VGA / WIFI / DC 12V |
| TPC6000-A102-TB-2G | :10.4"TFT LCD / | 800×600 / | / J1900 CPU / 2×LAN / 1×USB 3.0 / 3×USB 2.0 / 3×RS232 / 1×RS232 or RS485 / 2×RS485 / 1×HDMI / 1×VGA / DDR3 2G / DC 12V |
| TPC6000-A102-TBW-2G | :10.4"TFT LCD / | 800×600 / | / J1900 CPU / 2×LAN / 1×USB 3.0 / 3×USB 2.0 / 3×RS232 / 1×RS232 or RS485 / 2×RS485 / 1×HDMI / 1×VGA / DDR3 2G / WIFI / DC 12V |
| TPC6000-A102-TB-2G-SSD16G | :10.4"TFT LCD / | 800×600 / | / J1900 CPU / 2×LAN / 1×USB 3.0 / 3×USB 2.0 / 3×RS232 / 1×RS232 or RS485 / 2×RS485 / 1×HDMI / 1×VGA / DDR3 2G / mSATA 16G / DC 12V |
| TPC6000-A102-TBW-2G-SSD16G | :10.4"TFT LCD / | 800×600 / | / J1900 CPU / 2×LAN / 1×USB 3.0 / 3×USB 2.0 / 3×RS232 / 1×RS232 or RS485 / 2×RS485 / 1×HDMI / 1×VGA / DDR3 2G / mSATA 16G / WIFI / DC 12V |

2G /16G
2G/4G/8G
16G/32G/64G/128G
500G/1T