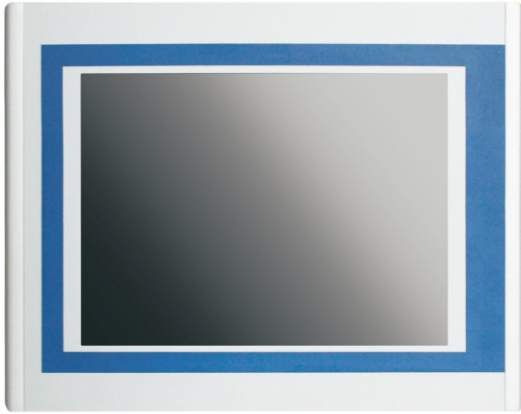


TPC6000-A 082

PET IP65

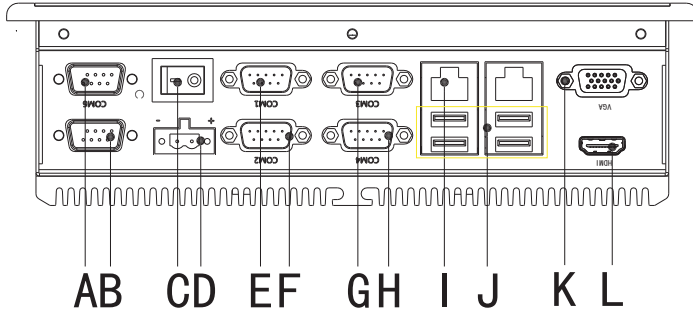
8" TFT LCD 800*600
 Intel Bay Trail J1900 2.0GHz
 2 6 RS232 (COM1/COM5/6 RS485)
 DC 12V
 WIFI/3G/4G
 VESA



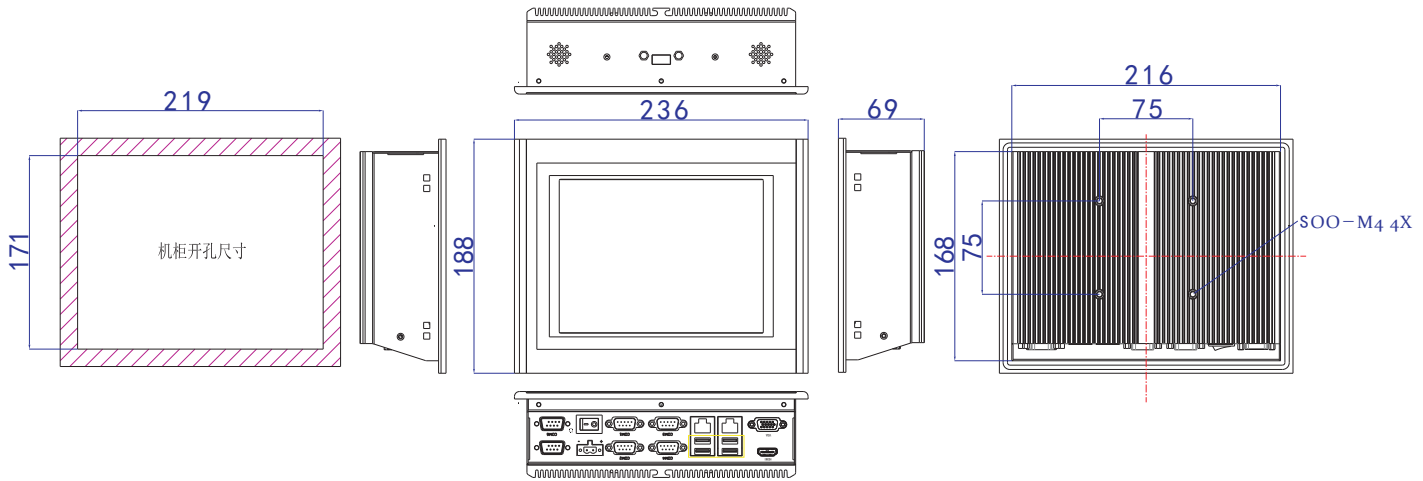
Intel Bay Trail J1900		2.0GHz, TDP 10W	
DDR3 2G/4G/8G			
1*Serial ATA 2.0 +1*mSATA			
HDMI/VGA			
1 255			
Win 7 / Win8 / WES7 / Linux / Win 10			
I/O			
2 Realtek RTL8111F			
USB	1 USB3.0	3 USB2.0	, 8KV
6 RS232(COM1/COM5/6 RS485)			
1~2W			
1 Mini-PCIe		3G/4G/Wifi	USB
DC IN HDMI*1 VGA*1			
8" TFT		800*600	
LED /		20000 h	
250cd/m ²			
162 mm * 121.5mm			
8"			
4096*4096			
3500		250 500 250	
81%			
		PET	NEMAIP65
		236*188*69mm	
		216*168mm	
		219*171mm	
VESA		2.4kg	

0~ +50	DC 12V
-30~ +70	16W
10~ 95% @ 40	
5~ 50Hz, 1.5G, 0.15mm	
10G/peak (11ms)	

I/O



A	6	B	5
C		D	DC IN (12V)
E	1	F	2
G	3	H	4
I		J	USB 2.0*3/USB 3.0*1
K	VGA	L	HDMI



TPC6000-A082-T	:8" TFT LCD /	800×600 /	/ J1900 CPU / 2×LAN / 1×USB 3.0 / 3×USB 2.0 / 5×RS232 / 1×RS232 or RS485 / 1×HDMI / 1×VGA / DC 12V
TPC6000-A082-TW	:8" TFT LCD /	800×600 /	/ J1900 CPU / 2×LAN / 1×USB 3.0 / 3×USB 2.0 / 5×RS232 / 1×RS232 or RS485 / 1×HDMI / 1×VGA / WIFI / DC 12V
TPC6000-A082-T-2G	:8" TFT LCD /	800×600 /	/ J1900 CPU / 2×LAN / 1×USB 3.0 / 3×USB 2.0 / 5×RS232 / 1×RS232 or RS485 / 1×HDMI / 1×VGA / DDR3 2G / DC 12V
TPC6000-A082-TW-2G	:8" TFT LCD /	800×600 /	/ J1900 CPU / 2×LAN / 1×USB 3.0 / 3×USB 2.0 / 5×RS232 / 1×RS232 or RS485 / 1×HDMI / 1×VGA / DDR3 2G / WIFI / DC 12V
TPC6000-A082-T-2G-SSD16G	:8" TFT LCD /	800×600 /	/ J1900 CPU / 2×LAN / 1×USB 3.0 / 3×USB 2.0 / 5×RS232 / 1×RS232 or RS485 / 1×HDMI / 1×VGA / DDR3 2G / mSATA 16G / DC 12V
TPC6000-A082-TW-2G-SSD16G	:8" TFT LCD /	800×600 /	/ J1900 CPU / 2×LAN / 1×USB 3.0 / 3×USB 2.0 / 5×RS232 / 1×RS232 or RS485 / 1×HDMI / 1×VGA / DDR3 2G / mSATA 16G / WIFI / DC 12V
TPC6000-A082-TA	:8" TFT LCD /	800×600 /	/ J1900 CPU / 2×LAN / 1×USB 3.0 / 3×USB 2.0 / 4×RS232 / 1×RS232 or RS485 / 1×RS485 / 1×HDMI / 1×VGA / DC 12V
TPC6000-A082-TAW	:8" TFT LCD /	800×600 /	/ J1900 CPU / 2×LAN / 1×USB 3.0 / 3×USB 2.0 / 4×RS232 / 1×RS232 or RS485 / 1×RS485 / 1×HDMI / 1×VGA / WIFI / DC 12V
TPC6000-A082-TA-2G	:8" TFT LCD /	800×600 /	/ J1900 CPU / 2×LAN / 1×USB 3.0 / 3×USB 2.0 / 4×RS232 / 1×RS232 or RS485 / 1×RS485 / 1×HDMI / 1×VGA / DDR3 2G / DC 12V
TPC6000-A082-TAW-2G	:8" TFT LCD /	800×600 /	/ J1900 CPU / 2×LAN / 1×USB 3.0 / 3×USB 2.0 / 4×RS232 / 1×RS232 or RS485 / 1×RS485 / 1×HDMI / 1×VGA / DDR3 2G / WIFI / DC 12V
TPC6000-A082-TA-2G-SSD16G	:8" TFT LCD /	800×600 /	/ J1900 CPU / 2×LAN / 1×USB 3.0 / 3×USB 2.0 / 4×RS232 / 1×RS232 or RS485 / 1×RS485 / 1×HDMI / 1×VGA / DDR3 2G / mSATA 16G / DC 12V
TPC6000-A082-TAW-2G-SSD16G	:8" TFT LCD /	800×600 /	/ J1900 CPU / 2×LAN / 1×USB 3.0 / 3×USB 2.0 / 4×RS232 / 1×RS232 or RS485 / 1×RS485 / 1×HDMI / 1×VGA / DDR3 2G / mSATA 16G / WIFI / DC 12V
TPC6000-A082-TB	:8" TFT LCD /	800×600 /	/ J1900 CPU / 2×LAN / 1×USB 3.0 / 3×USB 2.0 / 3×RS232 / 1×RS232 or RS485 / 2×RS485 / 1×HDMI / 1×VGA / DC 12V
TPC6000-A082-TBW	:8" TFT LCD /	800×600 /	/ J1900 CPU / 2×LAN / 1×USB 3.0 / 3×USB 2.0 / 3×RS232 / 1×RS232 or RS485 / 2×RS485 / 1×HDMI / 1×VGA / WIFI / DC 12V
TPC6000-A082-TB-2G	:8" TFT LCD /	800×600 /	/ J1900 CPU / 2×LAN / 1×USB 3.0 / 3×USB 2.0 / 3×RS232 / 1×RS232 or RS485 / 2×RS485 / 1×HDMI / 1×VGA / DDR3 2G / DC 12V
TPC6000-A082-TBW-2G	:8" TFT LCD /	800×600 /	/ J1900 CPU / 2×LAN / 1×USB 3.0 / 3×USB 2.0 / 3×RS232 / 1×RS232 or RS485 / 2×RS485 / 1×HDMI / 1×VGA / DDR3 2G / WIFI / DC 12V
TPC6000-A082-TB-2G-SSD16G	:8" TFT LCD /	800×600 /	/ J1900 CPU / 2×LAN / 1×USB 3.0 / 3×USB 2.0 / 3×RS232 / 1×RS232 or RS485 / 2×RS485 / 1×HDMI / 1×VGA / DDR3 2G / mSATA 16G / DC 12V
TPC6000-A082-TBW-2G-SSD16G	:8" TFT LCD /	800×600 /	/ J1900 CPU / 2×LAN / 1×USB 3.0 / 3×USB 2.0 / 3×RS232 / 1×RS232 or RS485 / 2×RS485 / 1×HDMI / 1×VGA / DDR3 2G / mSATA 16G / WIFI / DC 12V

2G /16G
2G/4G/8G
16G/32G/64G/128G
500G/1T